

Step 1

Assemble Column and Bed

Assemble two 8 hole Joining plates with two hole T-nuts and 5/16-18 X 11/16" button head screws. (Fig. 1)

Slide the T-nuts on the Joining plates into the Y axis bed and the Z axis column as shown in Fig. 2 and Fig. 3.

As you tighten the screws make the Z axis column square with the Y axis bed. (Fig. 3) It is best to use a precision ground square for this. The better you square these parts the more accurately the head will move over the table. Strive to square these as perfectly as possible. Tighten all screws 10 Ft lbs - 15 Ft lbs max.

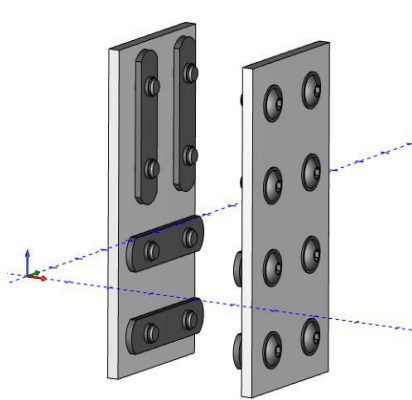


Fig. 1

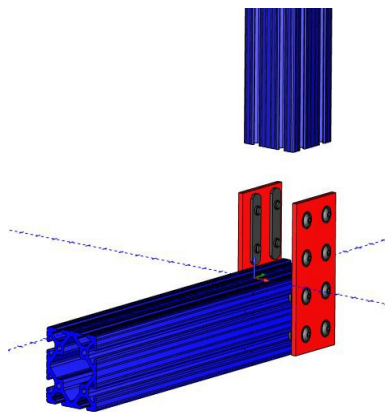


Fig. 2

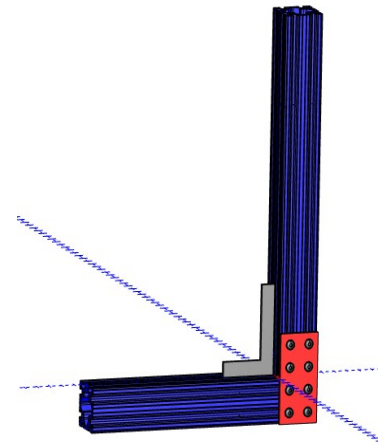


Fig. 3